



EYE-LCD-4600-LE-700

46" EDGE-LED LCD MONITOR (117 cm)
MIT 700 cd/m² HELLIGKEIT



) PRODUCT DESCRIPTION

The EYE-LCD-4600-LE-700 is the latest 46" Edge-LED LCD monitor from eyevis' eyeLCD series. The professional, industrial standard devices provide high brightness, pin-sharp resolution, best image quality, a slim design and low power consumption.

With eyevis' unique optical enhanced treatment, it not only provides clear viewability, but also ensures added durability and strength in almost every ambient light condition.

Thanks to the plain design the displays are the ideal surface for the presentation of your image content.

Application Possibilities:

- Public Information Display
- Digital Signage
- Control Rooms
- Broadcast (-BC version with optional broadcast features)

) ADVANTAGES OF THE EYE-LCD-4600-LE-700

▪ Superior Resolution & Image Representation

Full HD 1080p (1920 × 1080)

▪ High Brightness

700 cd/m² for best readability even in difficult ambient light conditions

▪ Ultra-Wide Viewing Angle

178 degree viewing angle horizontally & vertically

▪ IRFM™

Image Retention Free Modulator technology helps prevent image retention

▪ Energy Saving

Low Power consumption thanks to Edge-LED backlight technology.

▪ Wide Compatibility

Extensively tested with a broad variety of analog/digital PC and video modes.

▪ Durable and Professional Design

All metal structure, Sleek & low-key look that makes the content stand out

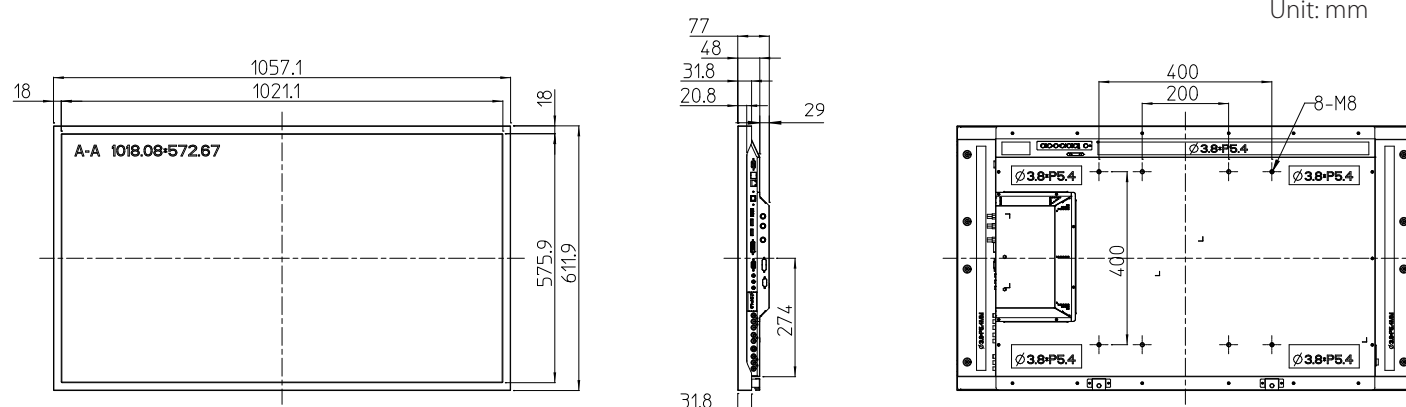
▪ Internal Speakers

The displays provide 2x internal speakers for audio reproduction.

▪ Landscape or Portrait Installation



) DRAWING





EYE-LCD-4600-LE-700

46" EDGE-LED LCD MONITOR (117 cm) WITH 700 cd/m² BRIGHTNESS

) TECHNICAL SPECIFICATION

LCD PANEL

| | |
|-------------------------------|---|
| Model Name: | EYE-LCD-4600-LE-700 |
| Panel Type: | TFT Active Matrix Type LCD non-glare/haze |
| Installation: | Landscape/Portrait |
| Screen Size: | 46" (ca. 116 cm) |
| Active Display Area: | 1018.08 × 572.67 mm (W × H) |
| Display Resolution: | 1920 × 1080 Pixel (full HD) |
| Colours: | 1.07 G Colours (10bit) |
| Brightness: | 700 cd/m ² (typ.) |
| Contrast: | 4000:1 (typ.) |
| Viewing Angle: | 178° H/V |
| Response Time: | 6.5 ms (typ.) |
| Backlight: | Edge-LED |
| 24/7 Operation [®] : | Yes (recommended operation 20/7) |

CONNECTORS & CONTROL

| | |
|---------------------------|---|
| Inputs: | 1x DisplayPort / 2x HDMI 1.3c / VGA / DVI / 1x Component / 1x S-Video / 1x AV / 1x PC Audio In / 1x IR Extender |
| Outputs: | DVI-D and Analog VGA (loop-through) |
| Internal Matrix Function: | Yes (up to 4x4) |
| Communication Port: | RS232C In/Out (loop-through) |
| OSD Control: | RS232C, Control Buttons, IR Remote Control |
| OSD Languages | German, English, Chinese |

MECHANICAL

| | |
|--------------|------------------------------------|
| Dimensions: | 1057.1 × 611.9 × 77 mm (W × H × D) |
| Bezel Width: | 18 mm |
| Weight: | 22.8 kgs (net) / 27.8 kgs (gross) |
| VESA Mount: | 400 × 400 / 400 × 200 |

ELECTRICAL

| | |
|--------------------|---|
| Power Consumption: | ca. 135 Watt (max.) / Stand-by: ≤0,5 Watt |
| Input Voltage: | 110V – 240V AC, 50/60 Hz |
| Power Off: | ≤ 0.5 W (typ.) |
| Internal Speakers: | 4Ω/10 W × 2 |

OPERATING CONDITIONS

| | |
|------------------------|--------------------------------|
| Operating Temperature: | 5 - 40 °C |
| Humidity: | 20 - 90 % RH (no condensation) |

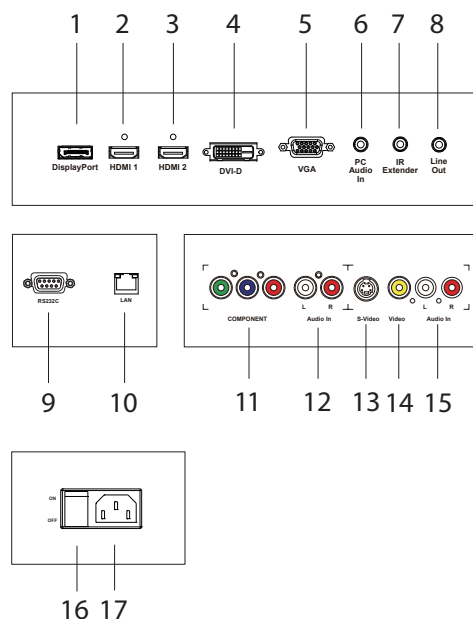
OPTIONS

| | |
|--------------------|--|
| Touch Surface: | Infrared touch system with up to 32 simultaneous touch point |
| Installation: | Metal stands, carts, wall-/ceiling-mounts |
| Housing Colour: | Customised frame colours and logo branding |
| Broadcast Version: | With Broadcast-Scalerboard with special signal inputs/outputs (2x HD-SDI In (BNC), 1x HD-SDI Out (BNC) loop-through). 3200K colour temperature adjustable. |

ORDER INFORMATION

| | |
|-----------------|-------|
| Article Number: | 19539 |
|-----------------|-------|

) CONNECTORS



1. DisplayPort
2. HDMI 1
3. HDMI 2
4. DVI-D
5. VGA
6. PC Audio In
7. IR Extender
8. Line Out
9. RS232C
10. LAN
11. Component
12. Audio In(Component)
13. S-Video
14. Video
15. Audio In(S-Video/Video)
16. Power Switch
17. AC In

[®]Electronic components designed for 24/7 operation. Prolonged display of static image contents may affect the display quality of the device. These effects do not affect the functionality of the device and are therefore not considered as defects in terms of our warranty conditions.