



EYE-LCD-4600-LE-V2-TOUCH-xIR

46" EDGE-LED LCD MONITOR
WITH MULTI-USER TOUCH SURFACE

) PRODUCT DESCRIPTION

eyevis' new 46" Full-HD Edge-LED Touch LCD Monitor

The new EYE-LCD-4600-LE-V2-TOUCH-xIR display represents the latest version from eyevis professional edge-LED display versions.

It combines high resolution and unparalleled image quality with a slim design and low power consumption for a wide range of digital signage and control-room application.

With eyevis' unique optical enhanced treatment, it not only provides clear readability, but also ensures added durability and strength in almost every ambient light condition.

The infrared touch surface is available with different numbers of touch points. The durable touch system is the perfect choice to provide interactive display contents and interactive experience to the viewer.



) ADVANTAGES OF THE EYE-4600-LE-V2-TOUCH-XIR

■ Superior Resolution & High Brightness

Full HD 1080p (1920 × 1080) & 500 nits

■ Ultra-Wide Viewing Angle

178 degree viewing angle horizontally & vertically

■ IRFM™

Image Retention Free Modulator technology helps prevent image retention

■ Energy Saving Control

Low power consumption thanks to Edge-LED backlight

■ Wide Compatibility

Extensively tested with a broad variety of analog/digital PC and video modes.

■ Durable and Professional Design

All metal structure, Sleek & low-key look that makes the content stand out

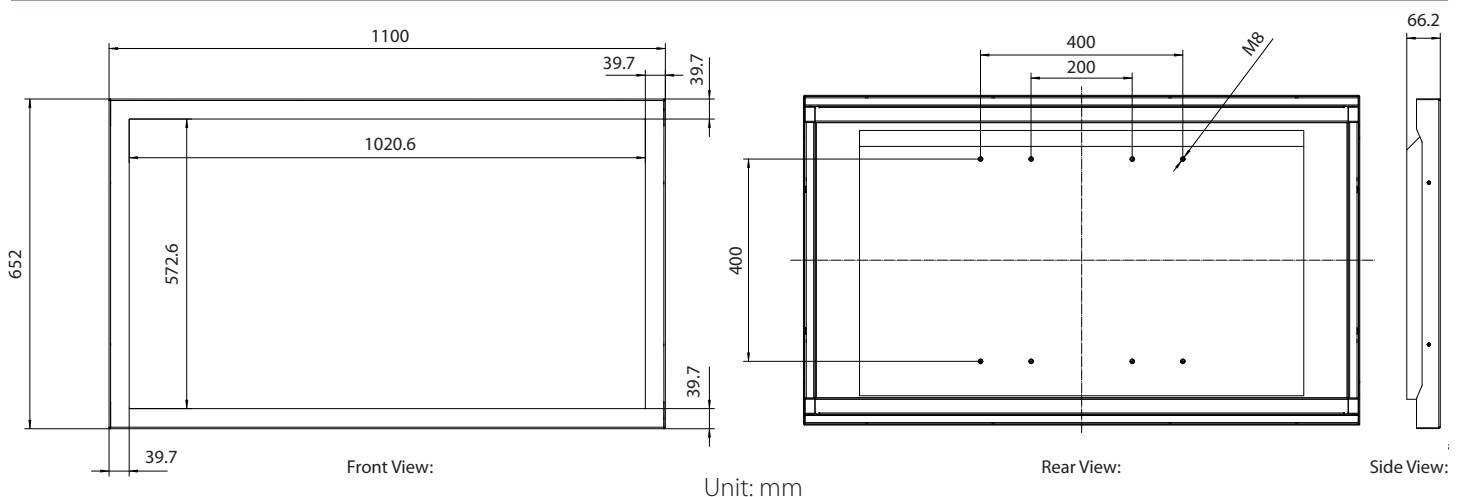
■ Touch Surface

Infrared touch surface with two, six or 32 simultaneous touch points.

■ Landscape or Portrait Installation



) DIMENSIONS





) TECHNICAL SPECIFICATIONS LCD

LCD PANEL

Screen Diagonal:	46 inch (ca. 117 cm)
Brightness:	500 cd/m ² (typ.)
Contrast:	4000:1 (typ.)
Viewing Angle:	178° / 178° (H/V)
Response Time:	6,5 ms (GTG)
Colours:	1.07G Colours (10 Bit)
Display Resolution:	full HD 1920 × 1080 px (16:9)
Display Frame Rate:	6 ms
Active Display Area:	1018.08(H) × 572.67(V)
24/7 Operation [®] :	Yes (recommended operation: 20/7)

SIGNAL COMPATIBILITY / CONNECTIVITY

Horizontal/Vertical Frequency:	23 ~ 92 KHz / 49 ~ 86 Hz (Analog) / 15 ~ 94 KHz / 23 ~ 85 Hz (Digital)
Input Resolution:	1920 × 1080 @ 60 Hz (Analog) / 1920 × 1080 @ 60 Hz (Digital)
Connectors:	1× DisplayPort / 2× HDMI 1.3c / 1× DVI / 1× VGA / 1× PC Audio In / 1× IR Extender
Audio:	Audio Out / Speaker Out
Communication Port:	RS232C In

MECHANICAL

Dimensions (W×H×D):	1100 × 652 × 66.2 mm
Bezel Width:	39.7 mm
Weight:	33.5 kg (monitor with touch system)
VESA:	400x400 mm / 400x200 mm VESA
Fanless Design:	Yes

OSD FUNCTIONS

OSD Control:	RS232C, Push Button, IR Remote Controller
OSD Languages:	English, Chinese
Auto Source Detection:	Yes
OSD Key Lock	Yes

ELECTRICAL

Input Voltage:	AC 100V ~ 240V (50/60 Hz)
Power Consumption:	Operation: ≤ 145 W (typ.) / Power Off: ≤ 0,5 W / Internal Speakers: 4Ω 10 W x 2

ENVIRONMENTAL

Operation:	0°C ~ 35°C, 85% RH
Storage:	-20°C ~ 60°C, 85% RH

TOUCH SYSTEM

Glass:	4 mm ESG safety glass (optional with anti-reflective foil lamination)
Touch Points:	6 or 32 points (simultaneously)
Touch Technology:	Infrared
Touch Activation:	Finger, gloved hand or any other non-transparent object, object recognition and palm rejection
Activation Force:	No pressure required
Finger Touch Accuracy:	2.7 mm
Report Resolution:	32768 × 32768
Sample Rate:	Up to 200 fps
Calibration:	Four-point calibration via driver software
Date Interface:	USB 2.0 (Full speed), compatible with USB 1.1, HID compliant, plug-and-play compatible, USB B Type receptacle
Operating System:	Windows 8/7/Vista/XP, Mac OS X, Linux (Ubuntu, Fedora)
Programming Interface:	SDK: C/C++, WPF(C#), C#(DllImport), Flash/Flex/AIR AS3, Flash AS2, Java; Windows Native Touch: C/C++, C#(WPF 4.0), Flash (Flash Player v10.1 or higher), AIR 2.0; TUIO: C/C++, Flash (AS3), Java, C#/WPF
Software:	Driver

OPTIONS

Installation:	Metal stands, carts, wall-/ceiling-mounts
Housing Colour:	Customised frame colours and logo branding

ORDER INFORMATION

6 Touch-Points:	Standard Glass: EYE-LCD-4600-LE-V2-TOUCH-6IR -> Art.Nr. 19333 / Anti-Glare Glass: EYE-LCD-4600-LE-V2-TOUCH(AG)-6IR -> Art.Nr. 19335
32 Touch-Points:	Standard Glass: EYE-LCD-4600-LE-V2-TOUCH-32IR -> Art.Nr. 19334 / Anti-Glare Glass: EYE-LCD-4600-LE-V2-TOUCH(AG)-32IR -> Art.Nr. 19336



eyevis GmbH

Hundsschleesstrasse 23 • 72766 Reutlingen • Germany
 Phone: + 49 (0) 7121 43303 - 0 • Fax: + 49 (0) 7121 43303 - 22
 www.eyevis.de • info@eyevis.de

As at: 20.12.2013/V1.3 • Subject to change!

All trademarks and registered trademarks are the property of their respective owners. Copyright © 2013 eyevis GmbH. All rights reserved.

[®]Electronic components designed for 24/7 operation. Prolonged display of static image contents may affect the display quality of the device. These effects do not affect the functionality of the device and are therefore not considered as defects in terms of our warranty conditions.