



EYE-LCD-8000-LE-500/700-TOUCH-xIR-V2

80" MULTI-USER TOUCH LCD MONITOR
WITH EDGE-LED BACKLIGHT



) PRODUCT DESCRIPTION

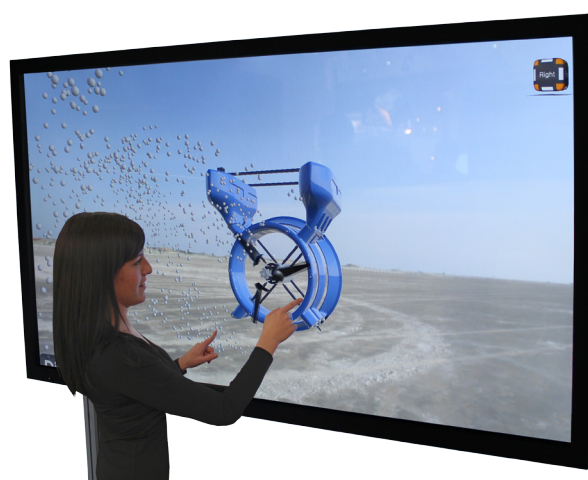
eyevis' 80" Full-HD Edge-LED Touch LCD Monitor

The new EYE-LCD-8000-LE-500/700-TOUCH-xIR-V2 display represents the latest version from eyevis professional edge-LED display versions.

It combines high resolution and unparalleled image quality with a slim design and low power consumption for a wide range of digital signage and control-room application.

With eyevis' unique optical enhanced treatment, it not only provides clear viewability, but also ensures added durability and strength in almost every ambient light condition.

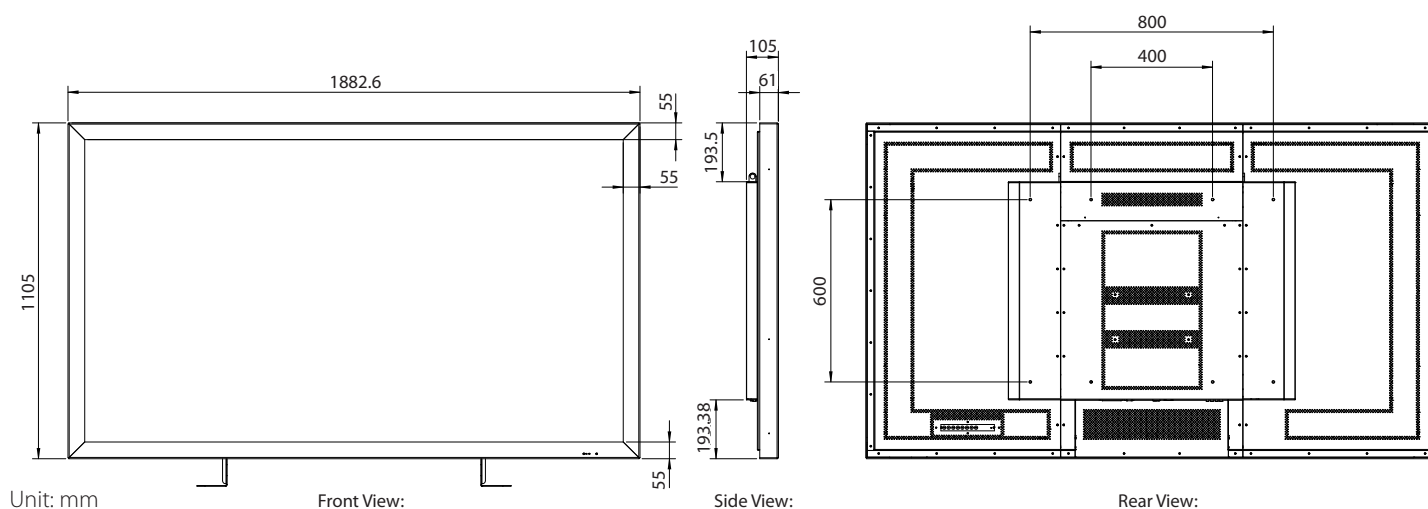
The infrared touch surface is available with different numbers of touch points. The durable touch system is the perfect choice to provide interactive display contents and interoperability to the viewer.



) ADVANTAGES OF THE EYE-8000-LE-TOUCH-xIR-V2

- **Superior Resolution**
Full-HD 1080p (1920x1080 Pixel)
- **Two different brightness versions available (500 & 700 nit)**
EYE-LCD-8000-LE-500-TOUCH-xIR-V2 with 500nit
EYE-LCD-8000-LE-700-TOUCH-xIR-V2 with 700nit
- **Ultra-Wide Viewing Angle**
176 degree viewing angle horizontally & vertically
- **Energy Saving Control**
Low power consumption thanks to Edge-LED backlight
- **Wide Compatibility**
Extensively tested with a broad variety of analog/digital PC and video modes.
- **Durable and Professional Design**
All metal structure, slim look that makes the content stand out
- **Multi-User Touch**
Infrared touch surface with six or 32 simultaneous touch points.
- **Ideal for demanding applications** in presentations, conferencing, sales or information

) DIMENSIONS





) TECHNICAL SPECIFICATIONS

LCD PANEL	EYE-LCD-8000-LE-500-TOUCH-xIR-V2	EYE-LCD-8000-LE-700 -TOUCH-xIR-V2
Backlight Technology:	Edge-LED	
Max. Image Resolution:	1,920 × 1,080 (full HD)	
Colours:	16.7M (8bits-true)	
Viewing Angle:	176° / 176° (H/V)	
Response Time:	4 ms	
Contrast Ratio:	5000:1	
Brightness:	typ. 500 cd/m ² (min. 400 cd/m ²)	typ. 700 cd/m ² (min. 560 cd/m ²)
Screen Diagonal:	80 inch (ca. 203 cm)	
Screen Area:	1776.6 (H) × 1004.4 (V) mm	
Pixel Pitch:	0.9225 (H) × 0.9225 (V) mm	

CONNECTORS & CONTROL

Signal Connectors:	1× DVI / 2× HDMI / 1× VGA / 1× S-Video / 1× C-Video
Audio:	2× Cinch / 2× MiniJack 3.5mm
Control Interface:	RS232 (9-pin D-Sub), IR remote control, rear panel control buttons

TOUCH SYSTEM

Glass:	5 mm ESG safety glass (optional with anti-reflective foil lamination)
Touch Points:	6 or 32 points (simultaneously)
Touch Technology:	Infrared
Touch Activation:	Finger, gloved hand or any other non-transparent object, object recognition and palm rejection
Activation Force:	No pressure required
Finger Touch Accuracy:	2.7 mm
Report Resolution:	32768 × 32768
Sample Rate:	Up to 200 fps
Calibration:	Four-point calibration via driver software
Date Interface:	USB 2.0 (Full speed), compatible with USB 1.1, HID compliant, plug-and-play compatible, USB B Type receptacle
Operating System:	Windows 8/7/Vista/XP, Mac OS X, Linux (Ubuntu, Fedora)
Programming Interface:	SDK: C/C++, WPF(C#), C#(DllImport), Flash/Flex/AIR AS3, Flash AS2, Java; Windows Native Touch: C/C++, C#(WPF 4.0), Flash (Flash Player v10.1 or higher), AIR 2.0; TUIO: C/C++, Flash (AS3), Java, C#/WPF
Software:	Driver

ELECTRICAL

Input Voltage:	90-264V 50/60Hz; integrated mains adapter
Power Consumption:	≤ 320W (typ.)

ENVIRONMENTAL

Temperature:	0 – 40 °C
Humidity:	max. 95%RH

MECHANICAL

Dimensions (W×H×D):	1882.6 × 1105 × 105 mm
Bezel Width:	55 mm
Weight:	approx. 122 kgs
Wall / Arm Mount Type:	600 × 400mm / 600 × 800 VESA

OPTIONS

Installations:	Different wallmounts and stands available
Customized Finishing	Customised finishings available on request (standard colour black RAL9005)

ORDER INFORMATION

6 Points Standard Glass:	EYE-LCD-8000-LE-500-TOUCH-6IR -> Art.Nr. 19685	EYE-LCD-8000-LE-700-TOUCH-6IR -> Art.Nr. 19689
32 Points Standard Glass:	EYE-LCD-8000-LE-500-TOUCH-32IR -> Art.Nr. 19687	EYE-LCD-8000-LE-700-TOUCH-32IR -> Art.Nr. 19691
6 Points Anti-Glare Glass:	EYE-LCD-8000-LE-500-TOUCH(AG)-6IR -> Art.Nr. 19686	EYE-LCD-8000-LE-700-TOUCH(AG)-6IR -> Art.Nr. 19690
32 Points Anti-Glare Glass:	EYE-LCD-8000-LE-500-TOUCH(AG)-32IR -> Art.Nr. 19688	EYE-LCD-8000-LE-700-TOUCH(AG)-32IR -> Art.Nr. 19692



eyevis GmbH

Hundsschleestr. 23 • 72766 Reutlingen • Germany
 Phone: + 49 (0) 7121 43303 - 0 • Fax: + 49 (0) 7121 43303 - 22
 www.eyevis.de • info@eyevis.de

As at: 12.05.2014/V1.1 • Subject to change!

All trademarks and registered trademarks are the property of their respective owners. Copyright © 2014 eyevis GmbH. All rights reserved.