



## EYE-LCD-5800-QHD-TOUCH(AG)-6IR

58-INCH 4K/ULTRA-HD@60Hz MULTI-USER TOUCH-LCD WITH DIRECT-LED BACKLIGHT



### ) PRODUCT DESCRIPTION

eyevis EYE-LCD-5800-QHD-TOUCH(AG)-6IR represents the state-of-the-art in the fields of professional large format multi-touch 4K/Ultra-HD monitor solutions. With a pin-sharp resolution of 3840x2160 pixels and 60 Hz frame rate this new device delivers perfectly smooth and vivid images with high-quality contents. The precise IR touch system provides stable and intuitive interaction with the display. The vivid representation of colours, Direct-LED backlight technology, adjustable colour temperatures and an anti-glare display surface further enhance the capabilities of the device. The EYE-LCD-5800-QHD-TOUCH(AG)-6IR device provides all high-quality features that eyevis products are well-known for, including a robust metal housing and highest reliability in demanding long-term operation.

#### Application Possibilities:

- High-end interactive digital signage applications
- Touch-table applications
- Visitor attraction and interactive information display
- Brand and product communication
- High-end broadcast applications
- Education and research
- Designers / Design Engineers / Architects

### ) ADVANTAGES OF THE EYE-LCD-5800-QHD-TOUCH(AG)-6IR

#### ▪ Ultra-High Resolution & Image Representation

Quad-Full-HD/4K resolution 3,840x2,160px@60Hz

#### ▪ OPS Mounting Slot

OPS standard slot for integrated eyevisProcessingUnits (EPUs) or additional input connections

#### ▪ Uniform Images

Thanks to Edge-LED backlight technology

#### ▪ Multi-User Touch

Infrared touch surface with six simultaneous touch points.

▪ **ZeroParallax Touch Surface** with optical clear and pixel-perfect performance. Virtually no touch parallax effects. Robust, anti-glare Corning® Gorilla® glass.

#### ▪ Reliable 24/7-Operation

All components designed for professional use in long-term operation.

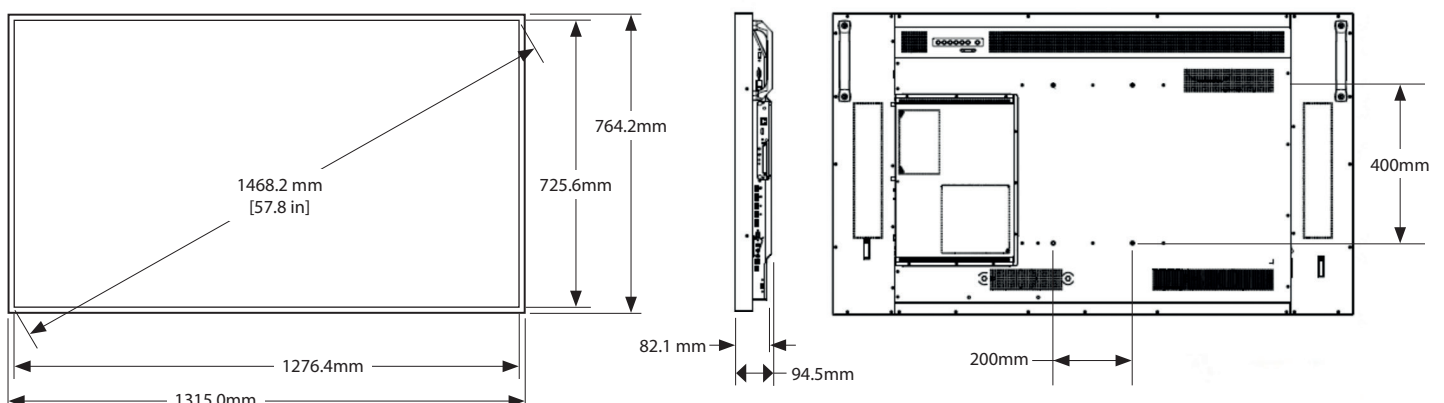
#### ▪ Durable and Professional Design

All metal structure, sleek & low-key look that makes the content stand out.

#### ▪ Landscape or Portrait Installation



### ) DRAWING





## EYE-LCD-5800-QHD-TOUCH(AG)-6IR

58-INCH 4K/ULTRA-HD@60Hz MULTI-USER TOUCH-LCD WITH DIRECT-LED BACKLIGHT

### TECHNICAL SPECIFICATION

#### LCD PANEL<sup>1</sup>

Screen Size:	58" (ca. 147 cm)
Brightness:	450 cd/m <sup>2</sup> (typ.)
Contrast:	3000:1 (typ.)
Backlight:	Edge-LED
Active Screen Area:	1270.08(H) × 721.44(V) mm
Pixel Pitch:	0.334 × 0.334 mm
Colours:	1.07 G Colours (10bit)
Response Time:	6.5 ms (typ.)
Local Dimming:	Yes
Installation:	Landscape/Portrait
Viewing Angle:	178° H/V
Backlight:	Edge-LED
24/7 Operation <sup>2</sup> :	Yes
MTBF:	30.000 h

#### CONNECTORS & CONTROL

Input Resolution <sup>3</sup> :	3840×2160@60 Hz or less (Full-HD, QFHD, WUXGA, HD, others)
Connectors:	4× HDMI 1.4, 1× DisplayPort 1.2, 1× VGA
Expansion Slot:	OPS standardized input slot for OPS-PC and additional inputs
Power Management:	VESA DPMS
Audio Out:	2 ch. analog out / 5 ch. digital out
Communication Port:	RS-232C, Ethernet
Colour Adjustment:	3200K, 5000K, 6500K, 7500K, 9300K, User
OSD Control:	RS232C, Control Buttons, IR Remote Control
Picture in Picture (PIP):	Picture-in-Picture (PiP), Picture-by-Picture (PbP)
Video Wall Mode:	Yes (display of 4 windows in 2x2 configuration)

#### TOUCH SYSTEM

Touch Sensor:	High Resolution IR (6 simultaneous touch points)
Touch Communication:	1× USB 2.0 (Type B)
Glass:	Zero Parallax with 1.9 mm Corning® Gorilla® glass. Anti-glare coating (front), 9% Haze 4H Hardness.

#### MECHANICAL

Dimensions:	1315.0 × 764.2 × 94.5 mm (W×H×D)
Weight:	50.7 kgs
Bezel Widths:	19.3 mm (all sides)
VESA Mount:	400×200
Fanless Design:	Yes

#### ELECTRICAL

Power Consumption:	240 Watt (max.) / Stand-by: ≤0.5 Watt
Input Voltage:	110V – 240V AC, 50/60 Hz
Speaker:	4Ω / 2× 10W / Full Range

#### ENVIRONMENTAL

Operating Temperature:	0 °C - 40 °C, 35% - 85% RH
Storage Temperature:	-20 °C - 60 °C, 35% - 85% RH

#### OPTIONS

Installation:	Metal stands, carts, wall-/ceiling-mounts
Housing Colour:	Customised frame colours and logo branding

#### ORDERING INFORMATION

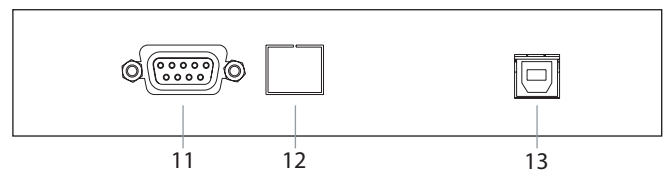
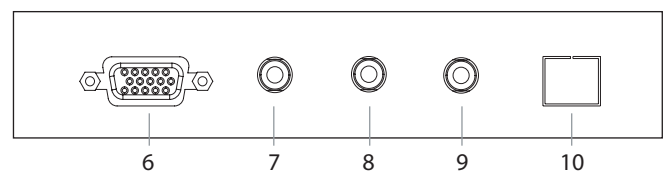
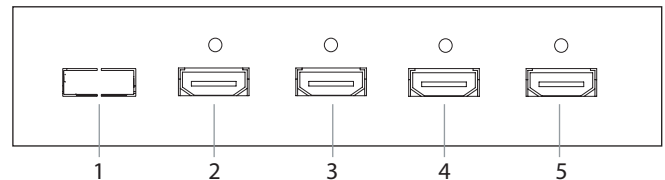
Item Number:	21807
--------------	-------

<sup>1</sup> Optical specification without cover glass

<sup>2</sup> When observing required terms and condition of operation

<sup>3</sup> If supported by the signal source/graphic card on output side

### CONNECTORS



1. DisplayPort
2. HDMI 1
3. HDMI 2
4. HDMI 3
5. HDMI 4
6. VGA
7. PC Audio In
8. IR Extender
9. Audio Out
10. SPDIF Out
11. RS232C
12. Ethernet
13. Touch USB

### OPTIONAL ACCESSORIES

#### EPU MODULE

##### Features:

- OPS-standard compliant eyevisProcessingUnit embedded in the device. The powerful EPU-versions can be used as digital signage players or to integrate the display device in eyevis' unique eyeCON® EPU-Wall concept for IP-based signal distribution and control

#### HD<sub>BASE</sub>T MODULE

##### Features:

- Use of Cat5e/Cat6 Ethernet cable with standard RJ-45 connector for video/audio/control/power transmission.

#### 3G-SDI MODULE

##### Features:

- Internal 3G/HD/SD-SDI Board
- Supported 3G formats (SMPTE 424M) 1080p@50/60Hz
- Looping out to other display
- Easy Install (Intel OPS Architecture Compliant)



eyevis GmbH

Hundsschleestrass 23 • 72766 Reutlingen • Germany  
Phone: + 49 (0) 7121 43303 - 0 • Fax: + 49 (0) 7121 43303 - 22  
www.eyevis.de • info@eyevis.de

As at: 20.05.2015 / V0.2 • Subject to change!

All trademarks and registered trademarks are the property of their respective owners. Copyright © 2015 eyevis GmbH. All rights reserved.