



# EYE-TOUCHTABLE-T3



LARGE SCALE 92-INCH OR 110-INCH" MULTI-TOUCH LCD TABLE FOR COLLABORATIVE TEAMS

WITH HIGH-END 40 POINTS MULTI-TOUCH, DIRECT LED BACKLIGHT, QUAD HD RESOLUTION



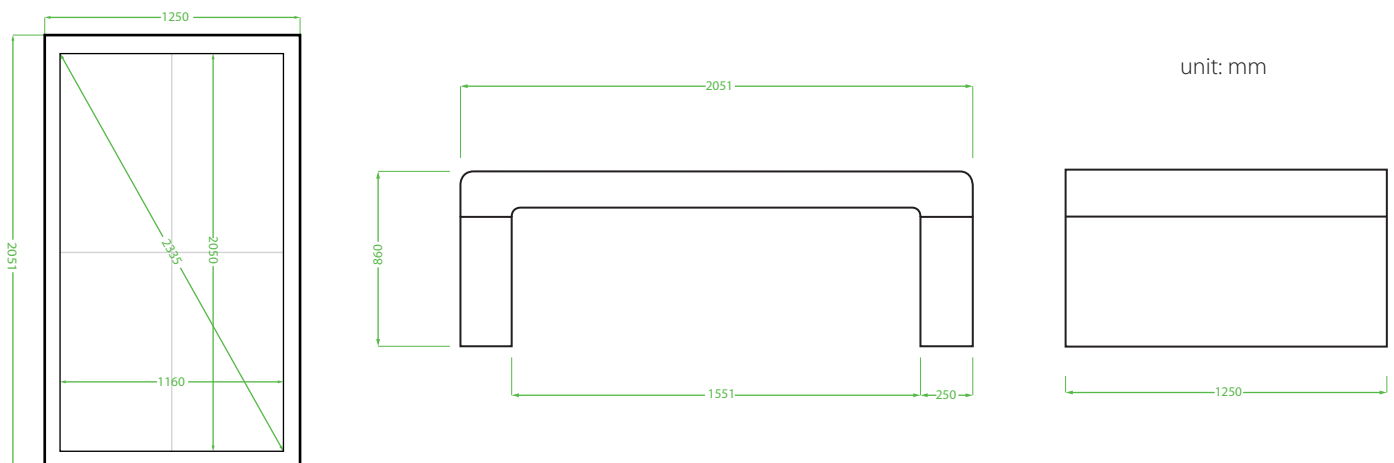
## ) TOUCH TABLE PROPERTIES

- **Professional 92/110-inch LCD multi-touch table** made of 2x2 46-inch Full-HD LCD displays or 2x2 55-inch Full-HD LCD displays
- **Uniform displays brightness** thanks to Direct-LED backlight technology
- **Quad HD Resolution** 3840 × 2160 Pixels
- **Up to 40 simultaneous touch points** with innovative IR technology, pointing with fingers, gloves, board pen etc.
- **Ideal for presentation, team meeting, marketing** and other sophisticated applications
- **Robust and elegant metal structure** (standard white, different RAL colours available on request)
- **Internal compartment** for pc or video controller for a tidy working space

## ) PICTURES



## ) DRAWING





## EYE-TOUCHTABLE-T3

LARGE SCALE 92-INCH OR 110-INCH" MULTI-TOUCH LCD TABLE FOR COLLABORATIVE TEAMS WITH HIGH-END 40 POINTS MULTI-TOUCH, DIRECT LED BACKLIGHT, QUAD HD RESOLUTION

### ) TECHNICAL SPECIFICATIONS

Model:	<b>T3-092-QHD-USN</b>	<b>T3-110-QHD-FX</b>	<b>T3-110-QHD-XSN</b>
Screen Diagonal:	92 inch	110 inch	110 inch
Touch Points:	up to 40 simultaneous touches	up to 40 simultaneous touches	up to 40 simultaneous touches
Display Configuration:	2x2 46" displays	2x2 55" displays	2x2 55" displays
LCD Bezel:	5.7 mm pixel-to-pixel	3.5 mm pixel-to-pixel	3.5 mm pixel-to-pixel
Resolution:	3840x2160 pixel (Quad Full-HD)	3840x2160 pixel (Quad Full-HD)	3840x2160 pixel (Quad Full-HD)
Brightness:	700 cd/m2	500 cd/m2	700 cd/m2
Backlight:	Direct LED	Direct LED	Direct LED
Touch Technology:	Infrared	Infrared	Infrared
Touch Method:	Finger, gloved hand, pointer (min. radius 6 mm)	Finger, gloved hand, pointer (min. radius 6 mm)	Finger, gloved hand, pointer (min. radius 6 mm)
Response Time:	7ms-12ms	7ms-12ms	7ms-12ms
Compatibility:	Windows 8, Windows 7, Vista, XP, MacOS, Linux	Windows 8, Windows 7, Vista, XP, MacOS, Linux	Windows 8, Windows 7, Vista, XP, MacOS, Linux
ESD Standard:	Class 4 EN61000-4. Contact discharge 8kV, Air discharge 15kV	Class 4 EN61000-4. Contact discharge 8kV, Air discharge 15kV	Class 4 EN61000-4. Contact discharge 8kV, Air discharge 15kV
EMC Standard:	EN55022, EN55024, CISPR 22, CISPR24	EN55022, EN55024, CISPR 22, CISPR24	EN55022, EN55024, CISPR 22, CISPR24
24/7 Betrieb <sup>1</sup> :	Ja	Ja	Ja

### CONNECTORS AND CONTROL

Inputs:	4x DVI-I, 4x VGA, 4x S-Video, 4x Video Analog, 1x USB 2.0 (1.1 compatible)	4x DVI-I, 4x HDMI, 4x VGA, 4x DisplayPort, 4x Video Analog, 1x USB 2.0 (1.1 compatible)	4x DVI-I, 4x HDMI, 4x VGA, 4x DisplayPort, 4x Video Analog, 1x USB 2.0 (1.1 compatible)
Loop-Through:	1x DVI-D output per display for loop-through	1x DisplayPort up to 4K <sup>2</sup> output per display for loop-through	1x DisplayPort up to 4K <sup>2</sup> output per display for loop-through
LAN:	1x RJ45 10/100/1000 MB		
Serial:	1x RS232 with loop-through	1x RS232 with loop-through	1x RS232 with loop-through
IR Remote Control:	Centralized	Centralized	Centralized
Software:	Display Software and Driver	Display Software and Driver	Display Software and Driver

### MECHANICAL

Table Height:	860 mm	860 mm	860 mm
Protective Surface:	6mm Glass, metal oxides anti-reflective coating	6mm Glass, metal oxides anti-reflective coating	6mm Glass, metal oxides anti-reflective coating
Installation:	Metal bent stand	Metal bent stand	Metal bent stand
Painting:	Fusion-bond epoxy powder coating	Fusion-bond epoxy powder coating	Fusion-bond epoxy powder coating
Colour:	White, customizable on RAL scale, wrapping on request like graphite, wood or special customized printing	White, customizable on RAL scale, wrapping on request like graphite, wood or special customized printing	White, customizable on RAL scale, wrapping on request like graphite, wood or special customized printing
Cables:	Integrated inside the stand	Integrated inside the stand	Integrated inside the stand
Technical Pedestal:	for accepting computer and other equipment with full legroom in the width and depth	for accepting computer and other equipment with full legroom in the width and depth	for accepting computer and other equipment with full legroom in the width and depth

### ELECTRICAL/ENVIRONMENTAL

Power Consumption:	760 Watt	840 Watt	720 Watt
Thermal Load:	2593 BTU/h	2870 BTU/h	2460 BTU/h
Power Supply:	100V - 240V AC, 50/60Hz	100V - 240V AC, 50/60Hz	100V - 240V AC, 50/60Hz
Operating Temperature:	0 - 40 °C	0 - 40 °C	0 - 40 °C
Humidity:	20 - 80% RH	20 - 80% RH	20 - 80% RH

### DIMENSIONS

Working Area:	2051 × 1159 mm	2432 × 1374 mm	2432 × 1374 mm
Stand:	2280 × 1250 × 860 mm (W × D × H)	2660 × 1465 × 860 mm (W × D × H)	2660 × 1465 × 860 mm (W × D × H)
Weight:	~260 kg	~350 kg	~350 kg

<sup>1</sup> When observing required terms and condition of operation

<sup>2</sup> If supported by the signal source/graphic card on output side



eyevis GmbH

Hundsschleestr. 23 • 72766 Reutlingen • Germany  
 Phone: + 49 (0) 7121 43303 - 0 • Fax: + 49 (0) 7121 43303 - 22  
 www.eyevis.de • info@eyevis.de

As at: 11.06.2015/V1.0 • Subject to change!

All trademarks and registered trademarks are the property of their respective owners. Copyright © 2015 eyevis GmbH. All rights reserved.