



# ePANEL-0.9/ -1.2 / -1.5 / -1.9

HIGH PRECISION LED MODULES  
 FOR SEAMLESS INDOOR VIDEO WALLS

## ) PRODUCT DESCRIPTION

All ePANEL products are designed to be used indoors, where high resolution video walls with small pixel pitch are in high demand. The ePanel portfolio comprises models with different, yet always very small pixel pitches of 0.9 mm, 1.2 mm, 1.5 mm and 1.9 mm, which can be selected in line with the respective case of application.

The modules are ideally suited for applications that require a pin-sharp, seamless and high-quality display of videos and images as in retail applications, TV studios, and mission-critical control rooms. Best brightness and contrast, a wide color gamut, and uniform appearance thanks to comprehensive calibration measurements further enhance the capabilities of the modules. Their 16:9 aspect ratio allows the simple setup of any Full-HD or Ultra-HD configuration and beyond.

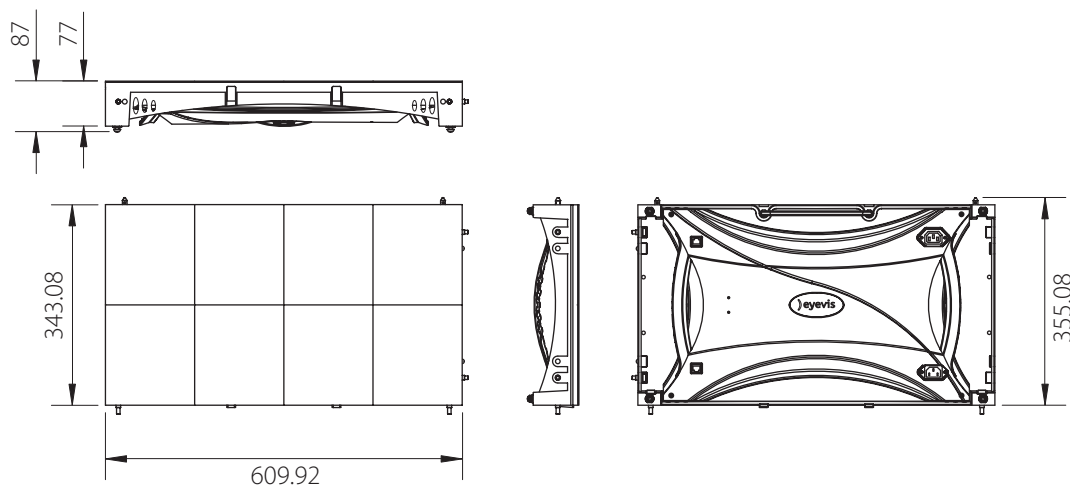


### The Advantages at a Glance:

- Bezel-free 16:9 modules for native 1080p, 4K and customized LED video walls
- Super fine pixel pitch from 0.9 to 1.9 mm
- 16-bit colour depth
- Low power consumption and noise-free operation
- Comprehensive calibration for perfect uniformity



## ) DRAWING





## ePANEL-0.9/ -1.2 / -1.5 / -1.9

HIGH PRECISION LED MODULES FOR SEAMLESS INDOOR VIDEO WALLS

### ) TECHNICAL SPECIFICATION

LED PANEL	ePANEL-0.9	ePANEL-1.2	ePANEL-1.5	ePANEL-1.9
Pixel Pitch:	0.953mm	1.27mm	1.588mm	1.906mm
LED Type:	Black SMD 3-in-1	Black SMD 3-in-1	Black SMD 3-in-1	Black SMD 3-in-1
Brightness:	600 cd/m <sup>2</sup> (After calibration)	800 cd/m <sup>2</sup> (After calibration)	800 cd/m <sup>2</sup> (After calibration)	800 cd/m <sup>2</sup> (After calibration)
Colour Temperature:	adjustable (1000K to 9500K)	adjustable (1000K to 9500K)	adjustable (1000K to 9500K)	adjustable (1000K to 9500K)
Viewing Angle:	H: 165°   V:165°	H: 165°   V:165°	H: 165°   V:165°	H: 165°   V:165°
Pixel Density:	1101068 pixels/m <sup>2</sup>	619350 pixels/m <sup>2</sup>	406588 pixels/m <sup>2</sup>	275267 pixels/m <sup>2</sup>
Aspect Ratio:	16:9	16:9	16:9	16:9
Pixels per Module:	640x360	480x270	384x216	320x180
Processing Depth:	16 bits	16 bits	16 bits	16 bits
Gray Scale:	65536 levels per colour	65536 levels per colour	65536 levels per colour	65536 levels per colour
Brightness Control:	Manual/Automatic	Manual/Automatic	Manual/Automatic	Manual/Automatic
Video Frame Rate:	50/60 Hz	50/60 Hz	50/60 Hz	50/60 Hz
Rate Refresh:	3840 Hz	3840 Hz	3840 Hz	3840 Hz
Input Signal:	DVI / HDMI	DVI / HDMI	DVI / HDMI	DVI / HDMI
Data Interconnection:	CAT	CAT	CAT	CAT

### MECHANICAL

Board Size:	152.48mmx171.54mm	152.48mmx171.54mm	152.48mmx171.54mm	152.48mmx171.54mm
Module Size (WxHxD):	609.92mmx343.08mmx75mm	609.92mmx343.08mmx75mm	609.92mmx343.08mmx75mm	609.92mmx343.08mmx75mm
Area:	0.209 m <sup>2</sup>	0.209 m <sup>2</sup>	0.209 m <sup>2</sup>	0.209 m <sup>2</sup>
Weight/Module:	7.5 kg	7.5 kg	7.5 kg	7.5 kg
Board Maintenance:	Front	Front	Front	Front
Material:	Die-casting Aluminium	Die-casting Aluminium	Die-casting Aluminium	Die-casting Aluminium

### ELECTRICAL

Input Voltage:	110~220VAC±15%	110~220VAC±15%	110~220VAC±15%	110~220VAC±15%
Input Power Frequency:	50~60 Hz	50~60 Hz	50~60 Hz	50~60 Hz
Power Consumption/Module:	max. 178W   typ. 59W	max. 165W   typ. 55W	max. 182W   typ. 60.8W	max. 178W   typ. 59W
Power Consumption/m <sup>2</sup> :	max. 850W   typ. 283W	max. 798W   typ. 266W	max. 870W   typ. 290W	max. 852W   typ. 284W

### ENVIRONMENTAL

Operating Temperature   Humidity:	0°~+45°   10~90%RH	0°~+45°   10~90%RH	0°~+45°   10~90%RH	0°~+45°   10~90%RH
Storage Temperature   Humidity:	-10°~+55°   10~90%RH	-10°~+55°   10~90%RH	-10°~+55°   10~90%RH	-10°~+55°   10~90%RH
Life Time:	≥100,000 Hours	≥100,000 Hours	≥100,000 Hours	≥100,000 Hours

### COMPLIANCE

Certificates:	CE, RoHS	CE, RoHS	CE, RoHS	CE, RoHS
---------------	----------	----------	----------	----------



eyevis GmbH

Hundsschlestrasse 23 • 72766 Reutlingen • Germany  
 Phone: + 49 (0) 7121 43303 - 0 • Fax: + 49 (0) 7121 43303 - 22  
 www.eyevis.de • info@eyevis.de

As at: 15.02.2016 / V1.0 • Specifications are subject to change without prior notice!  
 All trademarks and registered trademarks are the property of their respective owners.  
 Copyright © 2016 eyevis GmbH. All rights reserved.