



EYE-LCD-5000-QHD

EYE-LCD-5000-QHD-TIRT32AG

50 ZOLL 4K/ULTRA-HD@60HZ LCD MONITOR
OPTIONAL WITH TOUCH SYSTEM



4K
ULTRA-HD

60Hz

LED



) PRODUKTBESCHREIBUNG

eyevis' new Ultra-HD LCD EYE-LCD-5000-QHD(-TIRT32AG) is a professional 50-inch (127 cm) 4K/Ultra-HD monitor from our range of high-resolution LCD monitor solutions. With a pin-sharp resolution of 3840x2160 pixels this new device delivers perfectly smooth and vivid images with high-quality contents. Uniform and vivid images, slim design and Edge-LED backlight technology further enhance the capabilities of the display to meet with the requirements of any field of application. The device provides all high-quality features that eyevis products are well-known for, including a robust metal housing and highest reliability in demanding long-term operation.

With an optional infrared touch system and the possibility to include PC-units or additional input connectors to an OPS-compatible slot the functionalities of the displays can be further enhanced.

Application Possibilities:

- High-end digital signage applications
- High-end broadcast applications
- Security control rooms, display of multiple signals in native resolution
- Detailed process control in high resolution
- Designers / Design Engineers / Architects

) ADVANTAGES OF THE EYE-LCD-5000-QHD(-TIRT32AG)

▪ Ultra-High Resolution & Image Representation

Quad-Full-HD/4K resolution 3,840x2,160px@60Hz

▪ High Brightness

550 cd/m² for best readability even in difficult ambient light conditions

▪ Brilliant Colours

88% NTSC colour gamut, precise colour temperature setting

▪ Fanless Design

For silent operation

▪ Reliable 24/7 Operation

All components designed for professional use in long-term operation.

▪ Durable and Professional Design

All metal structure, sleek & low-key look that makes the content stand out.

▪ Landscape or Portrait Installation

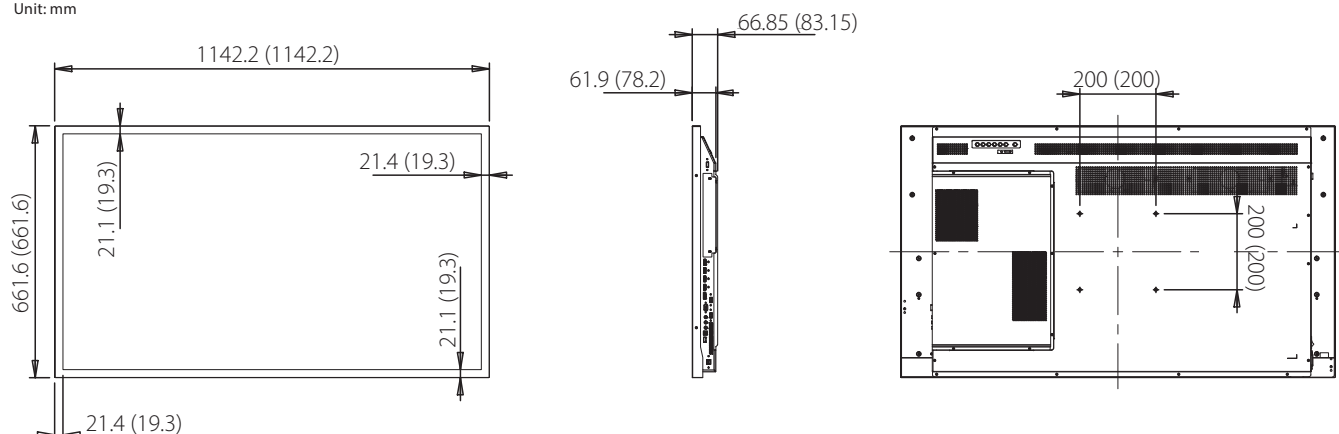


▪ OPS-Slot and Touch-Option

For additional inputs and enhanced functionality

) DRAWING EYE-LCD-5000-QHD(-TIRT32AG)

Unit: mm





EYE-LCD-5000-QHD | EYE-LCD-5000-QHD-TIRT32AG

50-INCH 4K/ULTRA-HD@60HZ LCD MONITOR WITH EDGE-LED BACKLIGHT / OPTIONAL WITH TOUCH SYSTEM

) TECHNICAL SPECIFICATION

LCD PANEL¹

Screen Size:	50" (ca. 127 cm)
Resolution:	3,840 × 2,160 Pixel
Brightness:	550 cd/m ² (typ.)
Contrast:	4000:1 (typ.)
Backlight:	Edge-LED
Active Screen:	1095.84(H) × 616.41(V)
Pixel Pitch:	0.2854 × 0.2854 mm
Colours:	1.07 G (10bit)
Gamut:	88% NTSC
Response Time:	9.5 ms (typ.)
Installation:	Landscape/Portrait
Viewing Angle:	178° H/V
Local Dimming:	Yes
24/7 Operation ² :	Yes

CONNECTORS & CONTROL

Input Resolution ³ :	3840 × 2160 @ 60 Hz or less (Full-HD, QFHD, WUXGA, HD, others)
Connectors:	4× HDMI 1.4, 1× DisplayPort 1.2, 1× VGA
Expansion Slot:	OPS standardized input slot for OPS-PC and additional inputs
Audio Out:	2 ch. analog out / 5 ch. digital out
Communication Port:	RS-232C, Ethernet
OSD Control:	RS232C, Control Buttons, IR Remote Control
Picture in Picture (PIP):	Picture-in-Picture (PiP), Picture-by-Picture (PbP)
Video Wall Mode:	Yes (display of 4 windows in 2x2 configuration)

MECHANICAL

Dimensions (W × H × D):	Standard: 1142.2 × 661.6 × 66.9 mm Touch: 1142.2 × 661.6 × 83.2 mm
Weight (net):	Standard: 29.2 kg Touch: 38.2 kg
Bezel Width:	Standard: 21.1 mm (bottom/top), 21.4 mm (right/left) Touch: 19.3 mm (all sides)
VESA Mount:	200×200
Fanless Design:	Yes

ELECTRICAL

Power Consumption Operation:	max. 200 W
Power Consumption Standby:	≤0.5 W
Input Voltage:	110V – 240V AC, 50/60 Hz
Speakers:	4Ω / 2× 10W / Full Range

ENVIRONMENTAL

Operating Temperature:	0 °C – 40 °C, 35% – 85% RH
Storage Temperature:	-20 °C – 60 °C, 35% – 85% RH

OPTIONS

Touch System:	- High Resolution IR System (32 Touch-Points) - 1× USB 2.0 (Type B) - Anti-Glare surface (front)
OPS Accessory ⁴ :	OPS-PC (eyevisProcessingUnit/EPU) or additional input connectors for HDBaseT, 3G/HD/SD-SDI
Installation:	Metal stands, carts, wall-/ceiling-mounts
Housing Colour:	Customised frame colours and logo branding

ORDERING INFORMATION

Standard Version:	EYE-LCD-5000-QHD -> 23221
Touch Version:	EYE-LCD-5000-QHD-TIRT32AG -> 23222

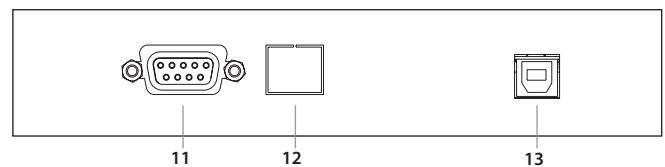
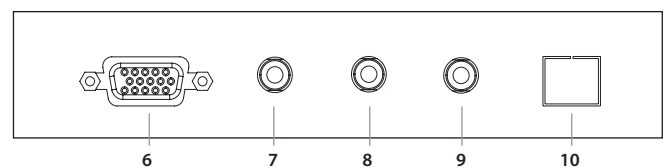
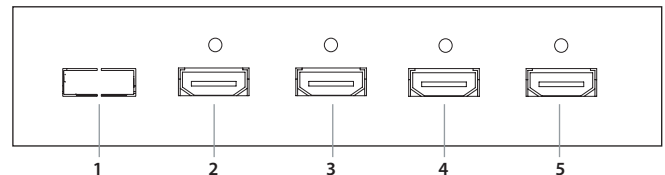
¹ Optical specification measured without touch system

² When observing required terms and condition of operation

³ If supported by the signal source/graphic card on output side

⁴ OPS conform accessories (PC/EPU, input options) to be ordered separately.

) CONNECTORS



- | | |
|----------------|--------------------------|
| 1. DisplayPort | 8. IR Extender |
| 2. HDMI 1 | 9. Audio Out |
| 3. HDMI 2 | 10. S/PDIF Out |
| 4. HDMI 3 | 11. RS232C |
| 5. HDMI 4 | 12. Ethernet |
| 6. VGA | 13. Touch USB (optional) |
| 7. PC Audio In | |

) OPTIONAL ACCESSORIES

OPS MODULE

Features:

- OPS-standard compliant eyevisProcessingUnit embedded in the device. The powerful EPU-versions can be used as digital signage players or to integrate the display device in eyevis' unique eyeCON® EPU-Wall concept for IP-based signal distribution and control



HDBaseT MODULE

Features:

- Use of Cat5e/Cat6 Ethernet cable with standard RJ-45 connector for video/audio/control/power transmission.

3G-SDI MODULE

Features:

- Internal 3G/HD/SD-SDI Board
- Supported 3G formats (SMPTE 424M) 1080p@50/60Hz
- Looping out to other display
- Easy Install (Intel OPS Architecture Compliant)