



# EYE-LCD-5800-QHD

58-INCH 4K/ULTRA-HD@60Hz LCD MONITOR  
WITH EDGE-LED BACKLIGHT



## ) PRODUCT DESCRIPTION

eyevis new 58" Ultra-HD LCD EYE-LCD-5800-QHD represents the latest state-of-the-art in the fields of professional 4K/Ultra-HD monitor solutions. With a pin-sharp resolution of 3840x2160 pixels and a frame rate of 60 Hz this new device delivers perfectly smooth and vivid images with high-quality contents. Uniform and vivid images, slim design thanks to Edge-LED backlight technology and the adjustable colour temperature range further enhance the display possibilities to meet with the requirements of any field of application. The device provides all high-quality features that eyevis products are well-known for, including a robust metal housing and highest reliability in demanding long-term operation.

### Application Possibilities:

- High-end digital signage applications
- High-end broadcast applications
- Security control rooms, display of multiple camera signals in native resolution on one screen
- Detailed process control in high resolution
- Designers / Design Engineers / Architects

## ) ADVANTAGES OF THE EYE-LCD-5800-QHD

### ▪ Ultra-High Resolution & Image Representation

Quad-Full-HD/4K resolution 3,840x2,160px@60Hz

### ▪ High Brightness

450 cd/m<sup>2</sup> for best readability even in difficult ambient light conditions

### ▪ Ultra-Wide Viewing Angle

178 degree viewing angle horizontally & vertically

### ▪ Brilliant Colours

72% NTSC colour gamut, precise colour temperature setting

### ▪ Fanless Design

For silent operation

### ▪ Uniform Images

Thanks to Edge-LED backlight technology

### ▪ Reliable 24/7 Operation

All components designed for professional use in long-term operation.

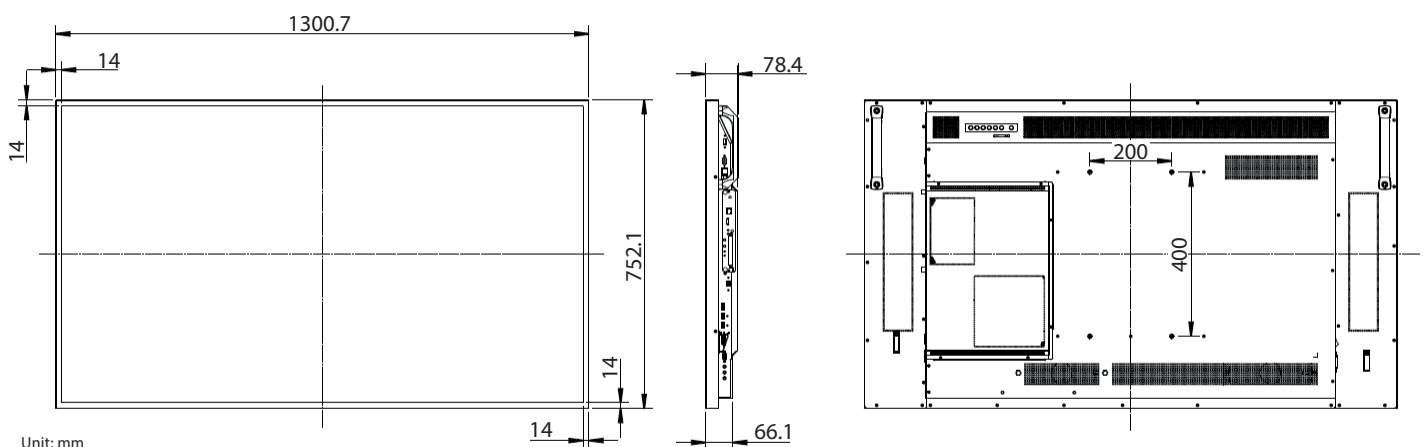
### ▪ Durable and Professional Design

All metal structure, sleek & low-key look that makes the content stand out.

### ▪ Landscape or Portrait Installation



## ) DRAWING





## EYE-LCD-5800-QHD

58-INCH 4K/ULTRA-HD@60Hz LCD MONITOR WITH EDGE-LED BACKLIGHT

### ) TECHNICAL SPECIFICATION

#### LCD PANEL

Screen Size:	58" (ca. 147 cm)
Resolution:	3840 × 2160 Pixel
Active Screen:	1270.08(H) × 721.44(V) mm
Pixel Pitch	0.334 × 0.334 mm
Brightness:	450 cd/m <sup>2</sup> (typ.)
Contrast:	3000:1 (typ.)
Colours:	1.07 G Colours (10bit)
Response Time:	6.5 ms (typ.)
Local Dimming:	Yes
Installation:	Landscape/Portrait
Viewing Angle:	178° H/V
Backlight:	Edge-LED
24/7 Operation <sup>1</sup> :	Yes

#### CONNECTORS & CONTROL

Input Resolution <sup>2</sup> :	3840 × 2160 @ 60 Hz or less (Full-HD, QFHD, WUXGA, HD, others)
Connectors:	4x HDMI 1.4, 1x DisplayPort 1.2, 1x VGA
Expansion Slot:	OPS standardized input slot for OPS-PC and additional inputs
Audio Out:	2 ch. analog out / 5 ch. digital out
Communication Port:	RS-232C, Ethernet
OSD Control:	RS232C, Control Buttons, IR Remote Control
Picture in Picture (PiP):	Picture-in-Picture (PiP), Picture-by-Picture (PbP)
Video Wall Mode:	Yes (display of 4 windows in 2x2 configuration)

#### MECHANICAL

Dimensions:	1300.7 × 752.1 × 78.4 mm
Weight:	38 kgs
VESA Mount:	400×200
Fanless Design:	Yes

#### ELECTRICAL

Power Consumption:	max. 240 W
Input Voltage:	110V – 240V AC, 50/60 Hz
Speaker:	4Ω/ 10W x 2 / Full range

#### ENVIRONMENTAL

Operating Temperature:	0 °C – 40 °C, 35% - 85% RH
Storage Temperature:	-20 °C – 60 °C, 35% - 85% RH
MTBF:	30,000 h

#### OPTIONS

Touch Surface:	Infrared multi-user touch system
Installation:	Metal stands, carts, wall-/ceiling-mounts
Housing Colour:	Customised frame colours and logo branding

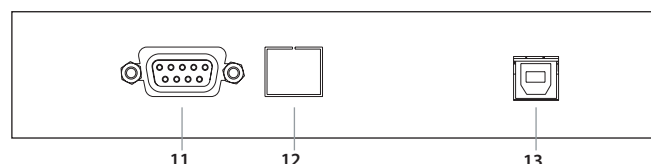
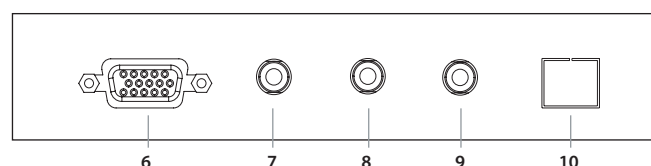
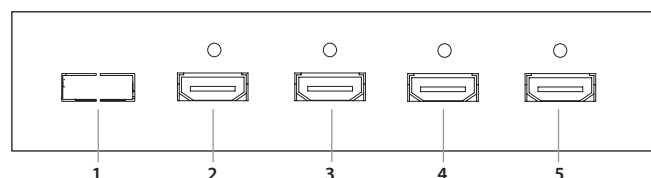
#### ORDERING INFORMATION

Item Number:	21581
--------------	-------

<sup>1</sup> When observing required terms and condition of operation

<sup>2</sup> If supported by the signal source/graphic card on output side

### ) CONNECTORS



- |                |                          |
|----------------|--------------------------|
| 1. DisplayPort | 8. IR Extender           |
| 2. HDMI 1      | 9. Audio Out             |
| 3. HDMI 2      | 10. SPDIF Out            |
| 4. HDMI 3      | 11. RS232C               |
| 5. HDMI 4      | 12. Ethernet             |
| 6. VGA         | 13. Touch USB (optional) |
| 7. PC Audio In |                          |

### ) OPTIONAL ACCESSORIES

#### OPS MODULE

##### Features:

- OPS-standard compliant eyevisProcessingUnit embedded in the device. The powerful EPU-versions can be used as digital signage players or to integrate the display device in eyevis' unique eyeCON® EPU-Wall concept for IP-based signal distribution and control

#### HD<sub>BASE</sub>T MODULE

##### Features:

- Use of Cat5e/Cat6 Ethernet cable with standard RJ-45 connector for video/audio/control/power transmission.

#### 3G-SDI MODULE

##### Features:

- Internal 3G/HD/SD-SDI Board
- Supported 3G formats (SMPTE 424M) 1080p@50/60Hz
- Looping out to other display
- Easy Install (Intel OPS Architecture Compliant)



eyevis GmbH

Hundsschlestrasse 23 • 72766 Reutlingen • Germany  
 Phone: + 49 (0) 7121 43303 - 0 • Fax: + 49 (0) 7121 43303 - 22  
 www.eyevis.de • info@eyevis.de

As at: 09.03.2015/V1.0 • Subject to change!

All trademarks and registered trademarks are the property of their respective owners. Copyright © 2015 eyevis GmbH. All rights reserved.